



KP62

MODULE



Datasheet

**Antenna Signal
Distribution Module
for
RK3
Antenna System Controller**



DECLARATION OF CONFORMITY

Manufacturer's Name: S-TMM Sistemi d.o.o.
Manufacturer's Address: Zabrv 120, 1292 Ig, Slovenia

Equipment Description: Controller for antenna rotators and coaxial antenna switch
RK3

Equipment Model Designation: RK3 – antenna system controller

EUROPEAN DECLARATION OF CONFORMITY

We, S-TMM Sistemi d.o.o., Zabrv 120, 1292 Ig, Slovenia, declare under our sole responsibility that the product RK3 – antenna system controller, to which this declaration relates is in conformity with the following standards or other normative documents (title and/or number and date of issue of the standard(s) or other normative document(s) (if applicable) following the provisions or () Directive(s) (Machinery, Electromagnetic Compatibility, etc.)

The Technical Construction File is maintained at: (give the address of the facility where the File is maintained).

The authorized representative located within the Community is:

S-TMM Sistemi d.o.o., Zabrv 120, 1292 Ig, Slovenia

Date of issue:

Place of issue:

(Signature of authorized person)

(Typed name of authorized person)

GENERAL INFORMATION REGARDING THE CE MARKING

Cable lengths

Length of cables used with RK3 must not exceed 3m.

Electromagnetic Immunity

RK3 was tested and complies with standard EN xxxxx for laboratory (?industrial) conditions.

Electromagnetic emissions

RK3 was tested and complies with standard EN xxxxx

Electrical Safety

Safety instructions

You should read this safety instructions and user manual before using the device.

For safety of the user and device, it is important to fully understand these instructions.

Symbols and safety labels used:



Warning: read user manual first

Use this device only within its specified conditions and in compliance with this manual, otherwise device can be damaged.

Device can only be installed in RK3 Main Frame.

Module MUST NEVER be plugged in only be installed and used on locations with limited access.

Table of contents

Safety instructions 3
KP62 description..... 5
KP62 Specifications..... 7

KP62 description

KPxx are modules for distribution of antenna signal to multiple receivers. It is ideal solution for mobile applications, where compact size of equipment is of high importance. KP module is part of RK3 Antenna System Controller.



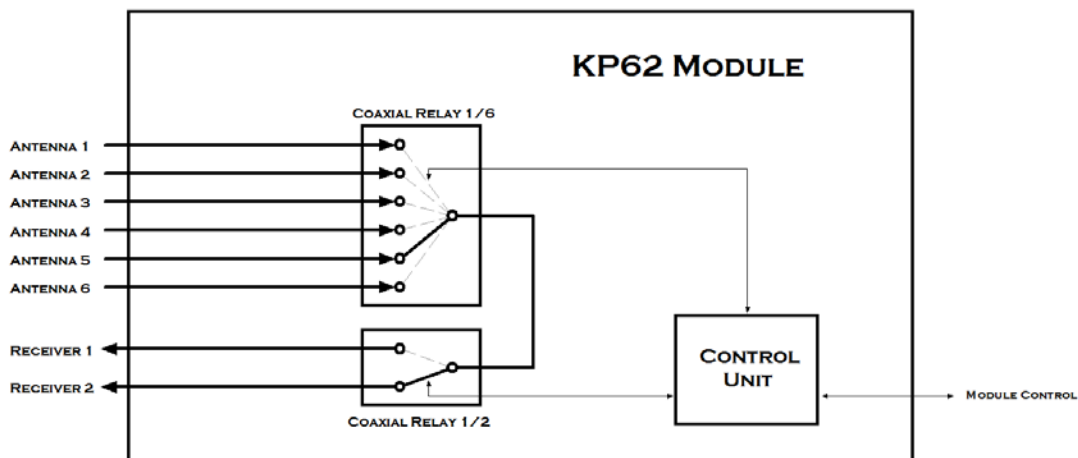
KP62 Module

KP62 is module with 6 antenna input ports and 2 receiver output ports. Defined frequency range is DC to 6GHz. Every single unit's Insertion Loss characteristics are measured by manufacturer and measurement certificate is attached.

KP Modules are designed for distribution of receiver antenna signal, so low powers are expected. Nevertheless, the module easily handles several watts of RF power.

Typical Frequency characteristic:

KP62 Frequency Characteristic		
Frequency	Insertion Loss	Return Loss
1GHz		
2GHz		
3GHz		
4GHz		
5GHz		
6GHz		



KP62 Functional Diagram

KP62 Module has 8 coaxial female N-type connectors: 6 for inputs and 2 for outputs.

Switching is made completely with passive elements, by high quality, low Insertion Loss coaxial relays. Therefore, no Intermodulation Distortion is expected.

KP62 Specifications

KP module Specifications			
Parameter	minimum	nominal	maximum
RF Switching		Coaxial relays SP6T and SPDT	
Frequency range	DC		6GHz
Insertion Loss at 6GHz		4dB??????	
Connector type		N-female	
Control interface		RK3 keyboard, Computer via Ethernet or RS232	